



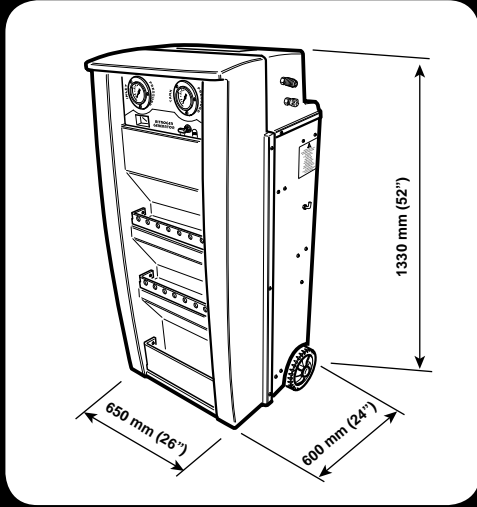




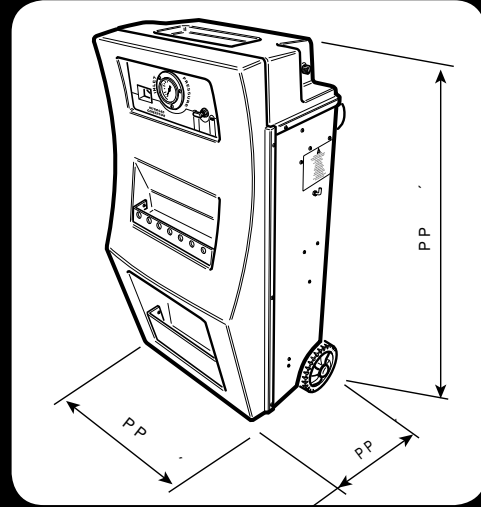
# C&S (FOFSBUPSZ B[PUV



C&S 300  
C&S 500



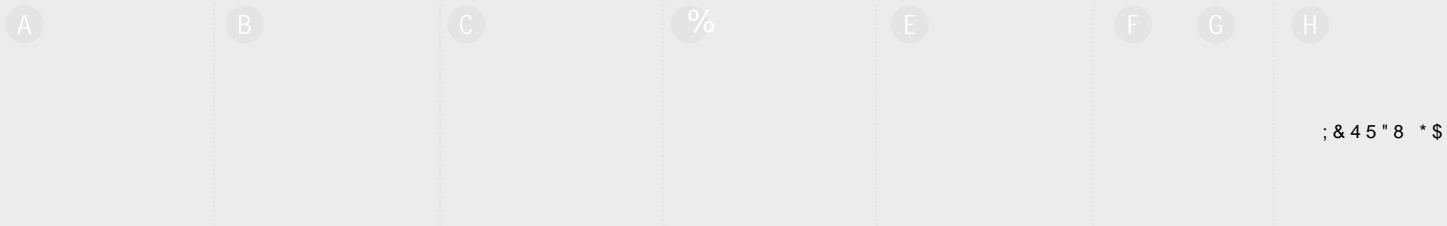
C&S 1800



	C&S 300	C&S 500	C&S 1800
13; & 1 CE: 8	3.000 lit/h	5.000 lit/h	18.000 lit/h
\$.: 450' • " ; 056	95%		
\$* ' / * & / * & 30 # 0 \$ ; &	8-10 bar (116-145 psi)		10-12 Bar (145-188 psi)
10 + & . / 0' • # " , 6	100 lit	100 lit	NA
10 ; * 0 . ) " CE " 46	< 70 ± 3 dB(A)		
8 " ( " / & 550	85 Kg (185 lbs)	87 Kg (190 lbs)	52 Kg (115 lbs)

;" - & \$ " / & " , \$ & 403 \* "

- A 8-53600000 84 \$ZLMPOJD[OZ TFQBSBUPS L'PEFFONTJED[OZ QJTUPMFU 8 & & \$, 8L'BEZ GJMUSB /. I
- B 8-55600001 ;FTUBX CxCOØX EP Xx B "5 8-11600127 ;FTUBX /5 EP QPNJBSV D[ZTUPP650 8-55600025 \*\$ " 8TLB OJL [BOJFD[ZT[D[FOJB QPXJFUS[B \*\$ "
- C 8-55600002 14( 1SPGFTTJPOBM QJTUPMFU EP QPNQPXBOB 8-55600023 , 8L'BEZ GJMUSB /. I



; & 45 " 8 \* \$ "



NEXION SPA - ITALY - Società unipersonale soggetta a direzione e coordinamento di Minio srl - A sole shareholder Minio company  
www.corgi.com - info@corgi.com

